

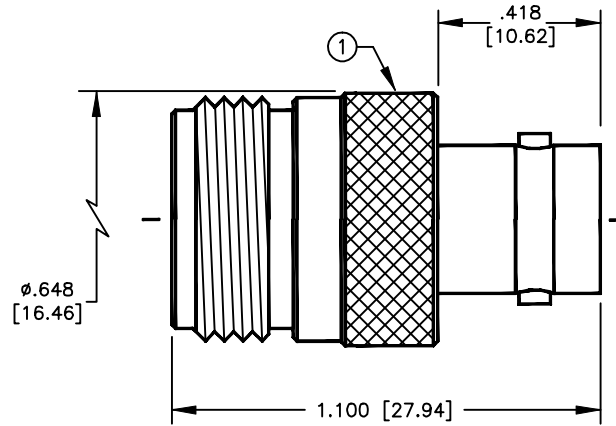
SPECIFICATION CONTROL DRAWING

THIS DRAWING CONTAINS INFORMATION PROPRIETARY TO RF INDUSTRIES, LTD. ANY UNAUTHORIZED USE OF THIS DRAWING IS EXPRESSLY PROHIBITED. ANY VIOLATION IS PUNISHABLE UNDER U.S. COPYRIGHT LAWS.

REV	DESCRIPTION	DWN	DATE	APPROVED
A	ENGINEERING RELEASE	DM	12/28/92	-----
A1	ADD DIMS FOR DIE AND CONTACT	PB	3/23/93	J. BENZ
B	STANDARDIZE	KMM	12/1/94	R. RICE
C	CHANGE CONTACT / NOW ONE PIECE DIELECTRIC	CZS	12/31/98	R. RICE

ALL DIMENSIONS ARE REFERENCE ONLY

000000



SPECIFICATIONS:

IMPEDANCE: 50 OHMS
 WORKING VOLTAGE: 500 VRMS @ SEA LEVEL
 FREQUENCY RANGE: 0-4 GHz

DIMENSIONS ARE IN INCHES AND [MILLIMETERS]

UNLESS OTHERWISE NOTED TOLERANCES ARE:
 DECIMALS DIAMETER

RFconnectors
 DIVISION OF RF INDUSTRIES, LTD.

7610 MIRAMAR RD
 SAN DIEGO, CA 92126
 (619)549-6340
 (619)549-6345 FAX

RFN-1039-1 \ UG-606/U

N FEMALE TO BNC FEMALE ADAPTER

ITEM	DESCRIPTION	QTY	MATERIAL	FINISH	APPROVALS	DATE
4	PRESS FIT GRND RING	1	BRASS	SILVER	DRAWN C. ZUNIGA	12/31/98
3	DIELECTRIC	1	PTFE	NONE	CHECKED	
2	CONTACT	1	BRASS	GOLD	ORJ DRAWN D. MORRIS	12/28/92
1	BODY	1	BRASS	SILVER		

SIZE	CABLE GROUP	DWG NO.	REV
A	N/A	7859	C

SCALE: 2:1 CAD FILE 13ARC B SHEET 1 OF 1